



## 24" Semi-Automatic Tyre Changer

**A space-saving swing arm and 4 powerful pneumatic clamping jaws make the TC220 a favourite in tyre shops where space is limited, but the best tyre fitting can't be compromised.**

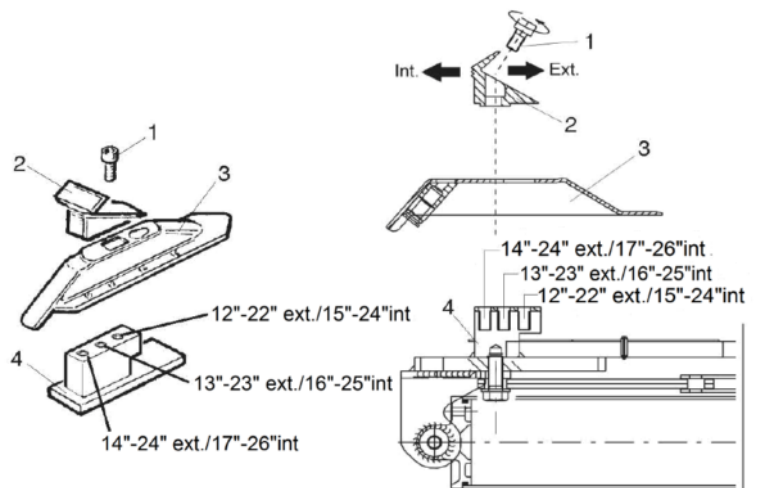
Ergonomically placed pedal controls make for easy use, while a 13-amp power supply and 8-10 Bar compressed air supply is all that is needed to get this machine up and running. Optional bead press arm available.

**Optional Extras:**  
 Motorcycle Adapters  
 Left Hand Assist Arm  
 Manual Bead Roller



Rim Clamping Range External	10" - 22"
Rim Clamping Range from Internal	12" - 24"
Max. Tyre Diameter	1,000 mm (39")
Max. Tyre Width	330 mm (13")
Bead Breaker Cylinder Force at 10 Bar	3,000 kg
Operating Pressure	10 bar (145 psi)
Motor Power:	0.75 220v 1ph
Rotating Speed	7 rpm
Pre-set Tyre Inflating Pressure	3.5 bar (50 Psi)
Net Weight	229 kg

Requiring a standard 13-amp power supply and 8-10 Bar compressed air supply

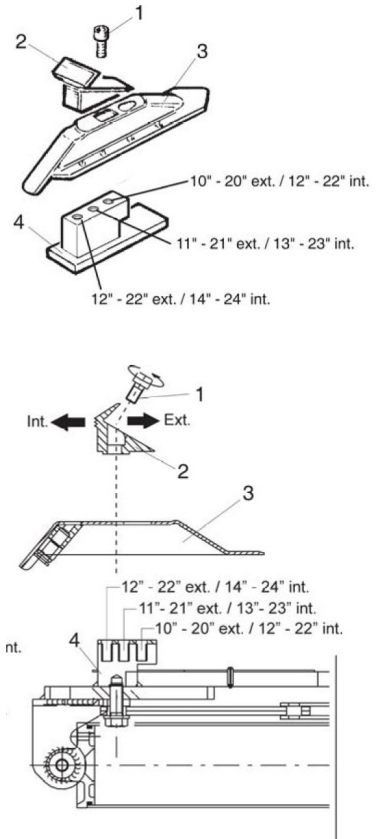
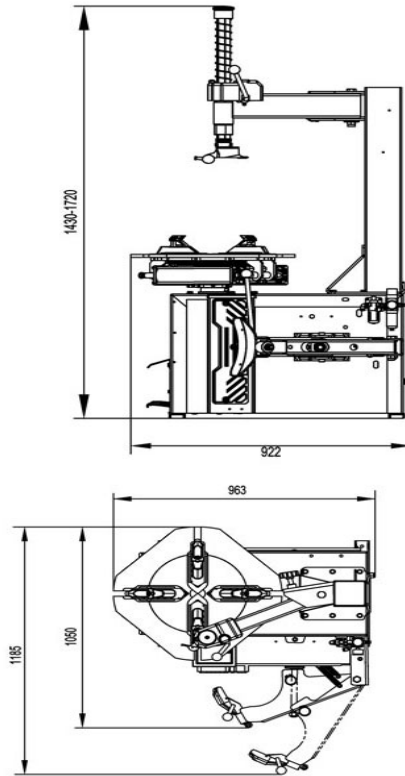
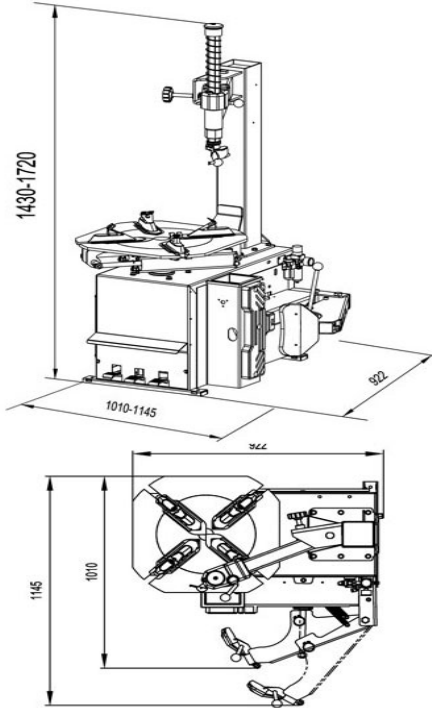


DIMENSIONS SHOWN OVERLEAF...



## Dimensions

### TC220 without assist arm:



### TC220 with assist arm:

