

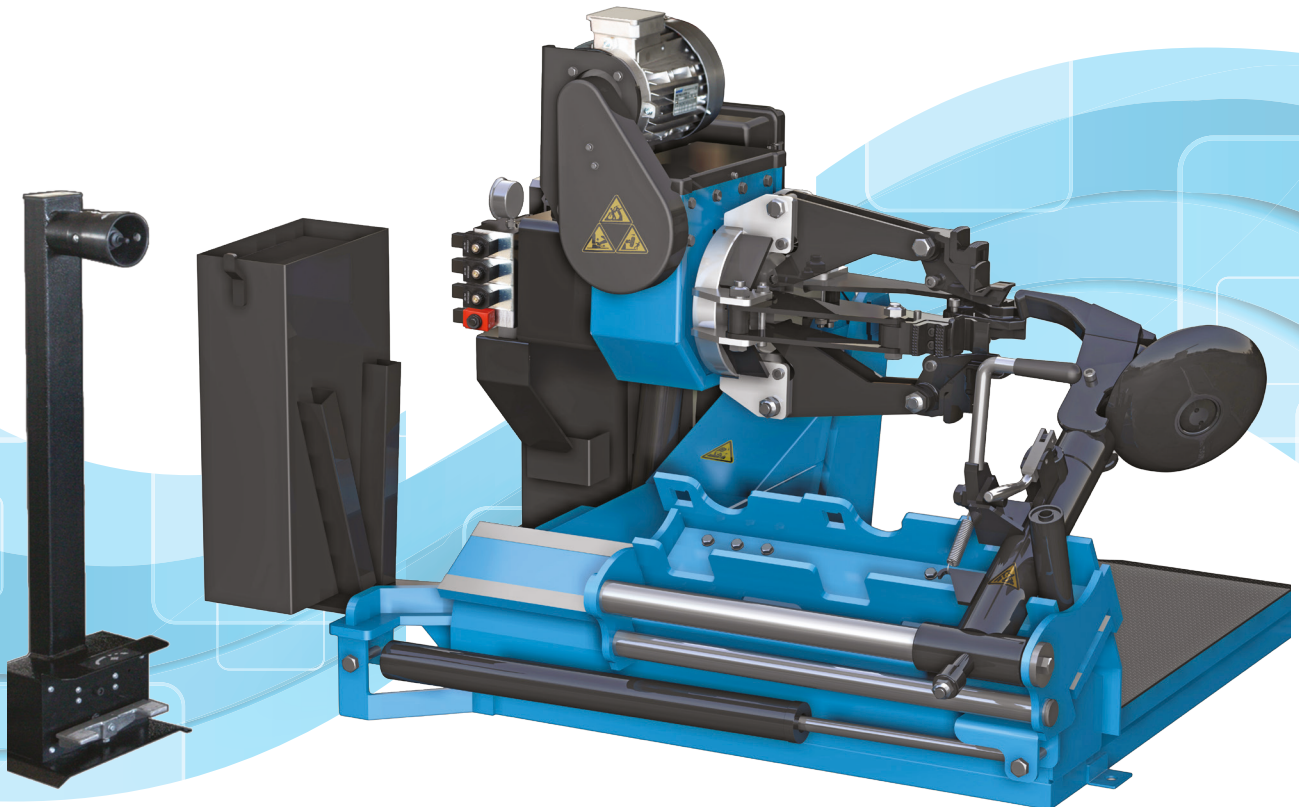
megamount 352

Truck Tyre Changer



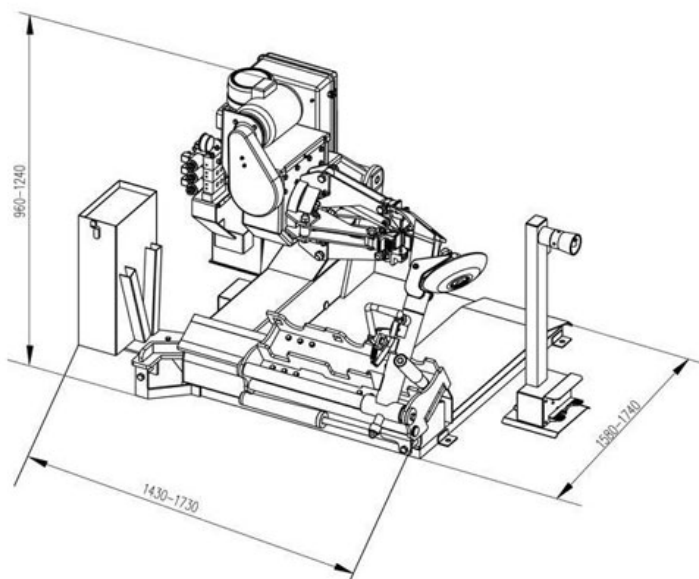
The megamount 352 is the ideal tyre changer for commercial workshops and truck tyre specialists. This model boasts all the features of bigger machines but carries a price tag that makes it affordable for a range of users.

Suitable for any truck and heavy duty wheel rim, with a clamping capability of 13" to 27" and a 1600mm (63") max diameter, the megamount 352 is extremely versatile, whilst the 2 speed hydraulic chuck makes fast work of any job. Available in 1ph or 3ph.



KEY FEATURES

- Two speed hydraulic chuck, with 5 different rim locking positions
- 13" to 27" clamping capability
- Movable control unit
- Movable hand tool holder
- Available in 1ph or 3ph



TECHNICAL DATA

- Max. wheel weight 1500kg
- Max. wheel diameter 1600 mm (63")
- Max. wheel width 780 mm (30½")
- Hydraulic unit motor power 1.5kw/380V
- Chuck motor power 1.3 /1.8kw/380V 3ph
- Operating pressure 0-130 bar
- Bead breaker force 1865 kg
- Gross weight 630 kg